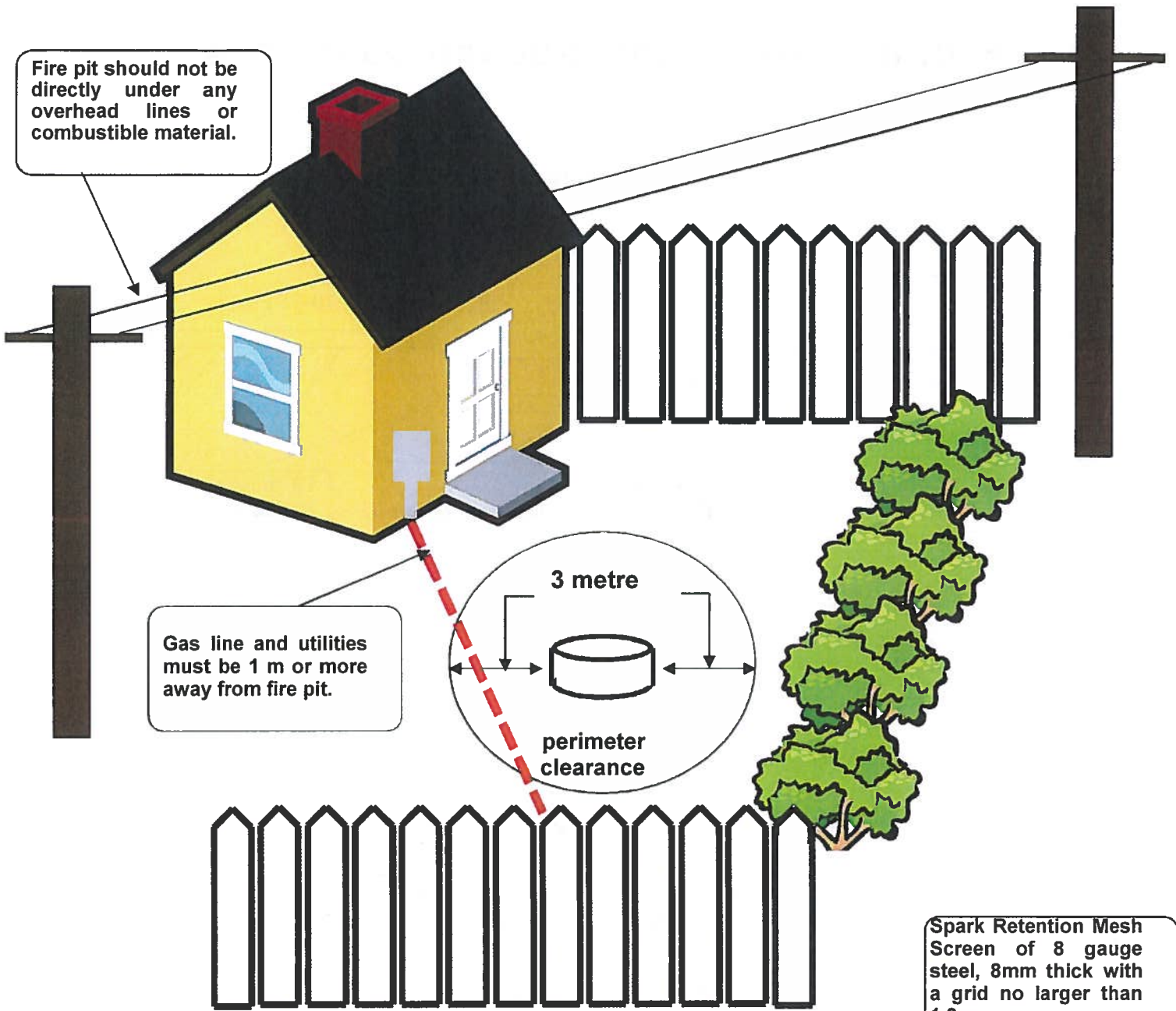
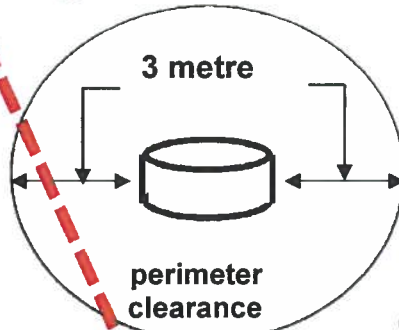


Fire pit should not be directly under any overhead lines or combustible material.

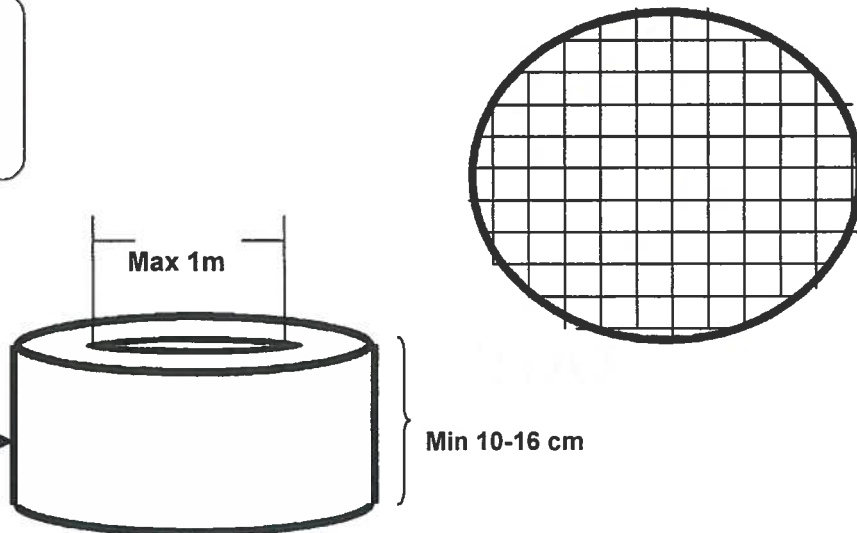


Gas line and utilities must be 1 m or more away from fire pit.



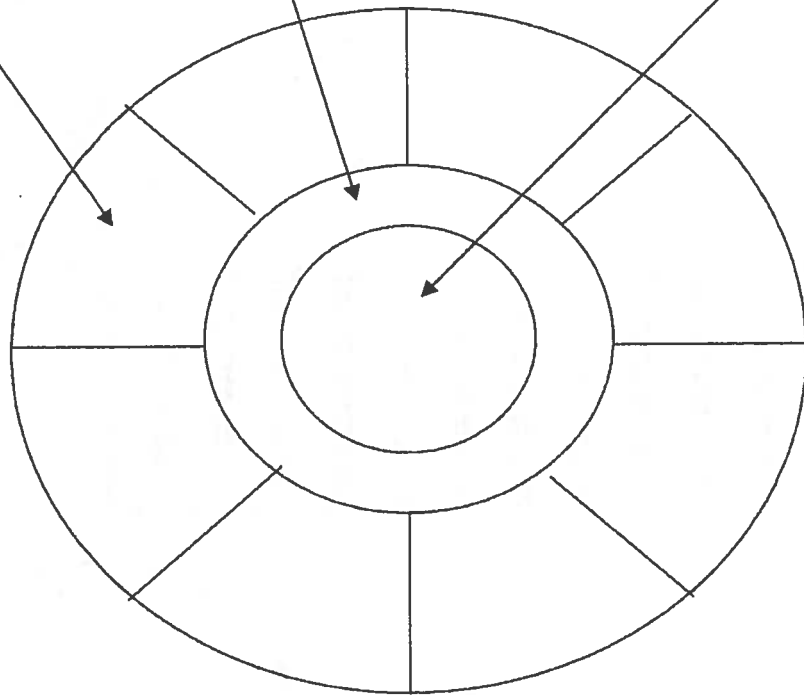
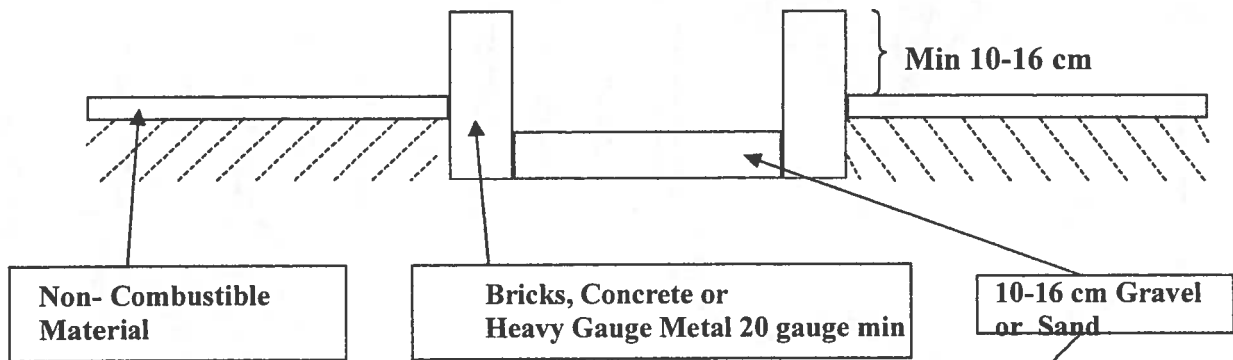
Spark Retention Mesh Screen of 8 gauge steel, 8mm thick with a grid no larger than 1.3 cm

Has enclosed sides made from bricks, concrete or heavy-gauge metal.



Burning Device Construction Guidelines

Side View



Overhead View